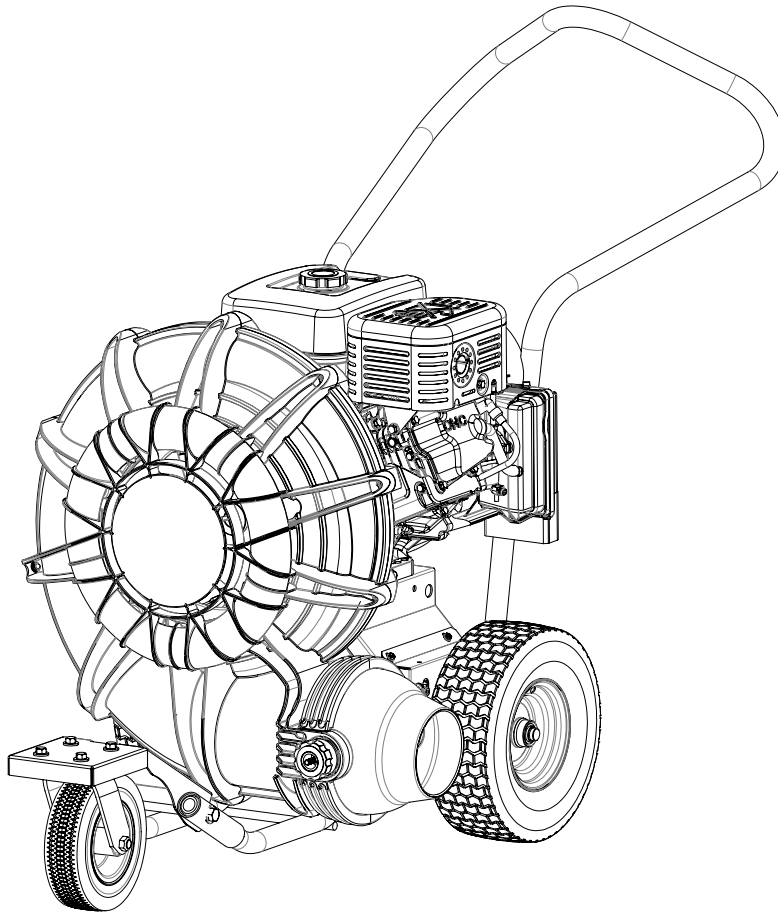




440293 FORCE CASTER KIT



BILLY GOAT FORCE CASTER KIT

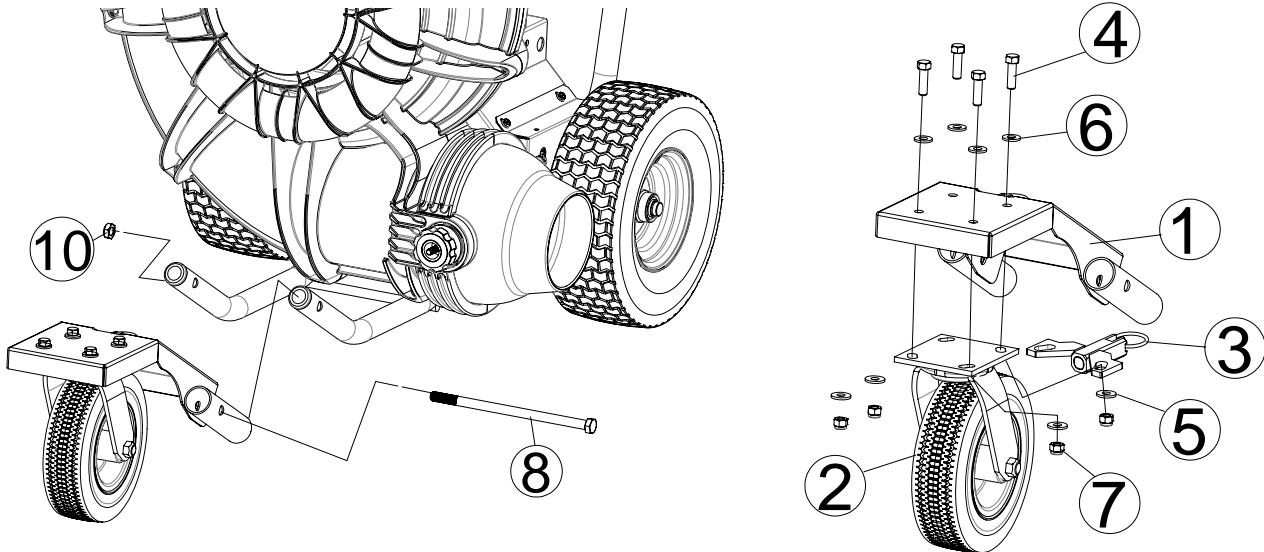
CASTER KIT
<i>Allows for greater maneuverability on hard surfaces</i>
P/N 440293



440293 FORCE CASTER KIT

ASSEMBLY

To install the caster kit remove the nut, washers, and bolt (items 8-10) holding the front wheel on. (Keep the wheel, spacers and washers in the event you sell your machine in the future. These items should be included.) Slide the pre assembled caster kit tubes onto the forks and align the holes on the caster tubes with the holes on the forks. Slide the bolt (item 8) through the hole, then place the nut (item 10) on the opposite end. Tighten securely.



ITEM NO.	DESCRIPTION	PART NUMBER	QTY
1	CASTER BRACKET WA FORCE	440297	1
2	WHEEL AND CASTER ASSY FORCE	440299	1
3	CASTER LOCK FORCE	440298	1
4	SCREWCAP 3/8" - 16 X 1 1/4" ZP	8041051	4
5	WASHER 3/8" FLAT	8172009	4
6	WASHER 3/8" SAE	8171003	4
7	NUT LOCK 3/8"-16 ZP	8160003	4
REF			
8	SCREWCAP 1/2" - 13 X 9 1/2"	8041240	1
9	WASHER FLAT 1/2" SAE	8172011	2
10	NYLON INSERT LOCKNUT 1/2"-13 LT WT THIN ZP	8161044	1

To use the caster, pull the ring outward and turn it so the ring is horizontal, then let go of the ring and it should sit in the groove, this will allow the caster to free wheel. To lock it in position, pull the ring outward and turn it so the ring is vertical, then let go the wheel will click into a fixed position.

Note: The caster can be fixed in four positions, 90° apart. Also grease the bearings on the caster periodically, to reduce wear,

WARNING: DO NOT leave the blower unattended in a free wheel position while it is running.

