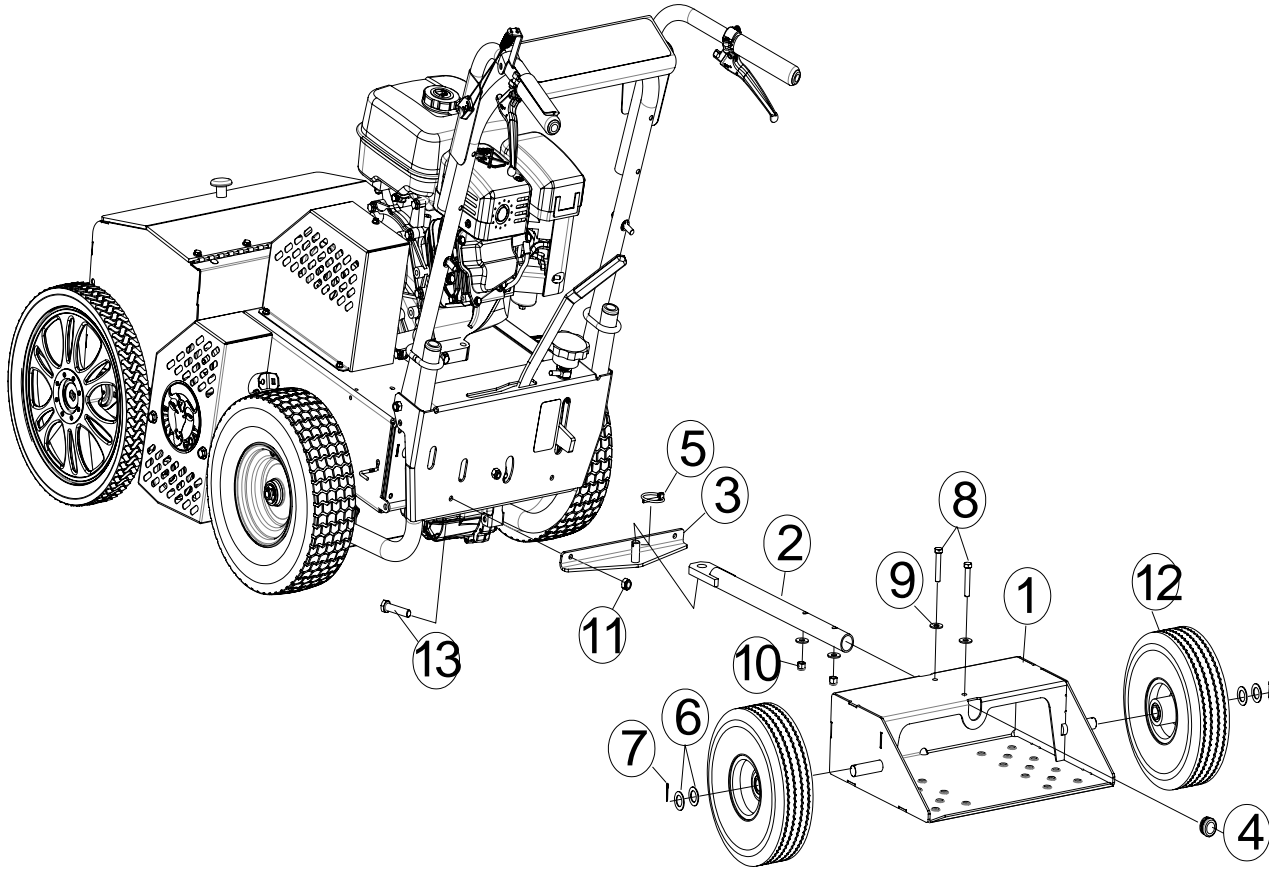




351601 CHARIOT KIT OS900SP

ATTACHING THE CHARIOT

1. Wait for engine to cool and disconnect spark plug.
2. Attach the rear bracket (item 3) to the rear of the machine with the hardware provided (items 12 and 10).
3. Attach the tongue to the chariot housing using hardware items 8, 9, and 10.
4. Attach the tongue to the bracket using hardware item 5.
5. Reattach the spark plug.



Item no	Part no	Description	Qty
1	351114	FRAME CHARIOT WA OS900SP	1
2	351115	HITCH CHARIOT WA OS900SP	1
3	351119	PIN HITCH WA OS900SP	1
4	791056	PLUG TUBE INSERT 1.25" OD	1
5	520004	LYNCH PIN 3/16" X 1 9/16"	1
6	850238	WASHER .765" ID X 1.25" OD X 0.06"	4
7	8197031	PIN COTTER 1/8" X 1" ZP	2
8	8041054	SCREWCAP 3/8"-16 X 2" HCS ZP	2
9	8171004	WASHER 3/8" FC	4
10	8160003	NUT LOCK 3/8"-16	2
11	8160002	NUT LOCK 5/16"-18 HEX ZP	2
12	400295	WHEEL 10" PNEUMATIC	2
13	8041026	SCREWCAP 5/16-18 X 3/4" HCS ZP	2