

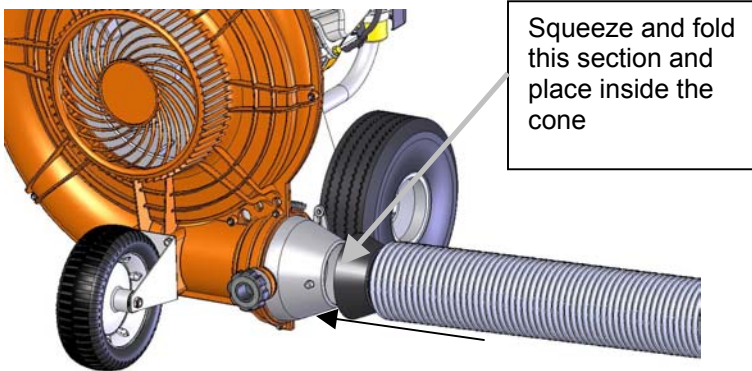


## BILLY GOAT FORCE BLOWER Hose Kit P/N 441166

### Attaching the Hose to the Blower Exhaust:

First turn off engine, and then simply squeeze and fold the larger end of the exhaust adapter and while folded place into the interior of the cone up to the ring on the adapter. Then let go and allow it to return to its normal shape, the airflow coming out of the unit will keep the exhaust adapter in place. To remove the director, simply squeeze around the ring and pull the director out.

**⚠ WARNING:** Maintain control of the nozzle while the machine is running as the nozzle will whip around and damage surrounding objects or people.



Parts List			
	Part No.	Description	Qty
1	441167	ADAPTER EXHAUST HOSE	1
2	800896	CLAMP HOSE 4"	2
3	441169	NOZZLE EXHAUST 3-4" HOSE	1
4	441168	HOSE 4" X 10' EXHAUST	1