

Clean Up Your  
**World**<sup>™</sup>

# Outback<sup>®</sup> Rider

## 4WD Ride-On Brushcutter



Lawn Care & Maintenance Machinery



**4WD - Professional use**  
**Ideal for rough terrain, hillsides and**  
**high vegetation**

# VANGUARD®

Vanguard™ EFI (Electronic Fuel Injection) provides a wide range of benefits for a versatile line of applications. These benefits include reduced fuel consumption providing up to 25% better fuel economy than a carbureted engine\* (closed-loop systems only), increased power, alcohol stale fuel resistance, and engine performance that increases governing control and load acceptance. Vanguard™ EFI systems also deliver optimized starting, including cold & hot restart and chokeless starting.

\* Fuel savings may vary based on cutting conditions and other factors.

## Outback® Series

BCR3626BVECE

Billy Goat Outback® ride-on brushcutters have set the highest standard for professional brush cutting equipment on the market. The new Outback® 4WD Rider continues to expand the Billy Goat line-up. This exciting new product offers unique features and benefits to combat the most demanding conditions.

When rough and overgrown areas limit the use of conventional mowers, this robust machine delivers the ultimate performance for these conditions.

The Outback® 4WD Rider has been designed with a low center of gravity in combination with a four wheel drive system that enables it to tackle those hard-to-reach places that wouldn't have been accessible to traditional machines.

The spacious platform provides sufficient space and comfort for the operator. The heavy duty mower deck is equipped with swing-back cutter blades that swing away when accidental contact is made with a solid object. These features help to protect the mower deck and cutter blades from accidental damage.

Look no further than the Billy Goat Outback® when you are looking for the ultimate brush cutting machine.





## Features



### Professional Engine

The 26 HP Vanguard™ 810cc EFI engine features reduced fuel consumption, increased governing control and load acceptance, optimized chokeless starting and altitude compensation - all ideal for commercial turf applications.



### ROPS Structure

A certified ROPS (Roll Over Protection Structure) with safety belt protects the machine and operator for rolling over and can fold 180 degrees backwards to allow for easier loading inside a van or trailer.



### User Friendly Dashboard

The operators compartment features a dashboard with control and warning lights, electric PTO engagement switch with soft start function, steering wheel with tilt-function and spinner knob, cruise control switch and a parking-brake lever.



### Heavy Duty Bumpers

The wide front and rear bumpers protect the rider against accidental impacts and incorporates tie-down points for securing the machine during transportation.



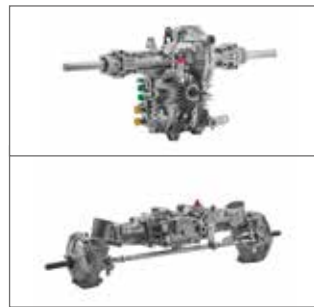
### Durable Mower Deck

The strong fabricated rear discharge deck discharges grass clippings rearwards. Replaceable swing-back cutter blades reduce accidental blade damage, with flip-up lids on the side of the deck providing easy access to the swing-back cutters when needed.



### Ergonomic Operators Platform

The large operators platform provides sufficient space for even the tallest user. Secondary footrests provide a secure foothold especially for use on hillsides. The contoured seat with armrests keeps you comfortable all day and is equipped with fore and aft positioning. Integrated hand rails provide a secure grip on the machine when needed.



### Drive System

The Tuff Torq™ 4WD system automatically controls the output to all drive wheels. Combined with a manual locking differential, this 4WD system provides all the traction you need in challenging terrain.



### Clean Air

The large Donaldson® dual stage industrial cyclonic air cleaner keeps the incoming air clean and extends the service interval by 4x when compared to a traditional panel-style air filter.



### Drive Wheels

Large drive wheels with agricultural tread ensure sufficient grip. The pivoting front axle allows all four driven wheels to remain in contact with the ground for maximum traction.



### Transmission Oil Cooler

A remote transmission oil cooler controls the transmission oil temperature even in the toughest conditions, reducing thermal oil breakdown for an extended operating life of the system.



## Specifications Outback® Ride-on Brushcutter

USE / LEVEL	ROUGH TERRAIN, HILLSIDES & HIGH VEGETATION
	<b>Outback® Series</b>
	BCR3626BVECE

ENGINE	
Engine Make / Model	Briggs & Stratton Vanguard™ 810cc EFI, V-Twin
Engine Performance	26 gross HP (SAE J1940) / 810cc*
Air Filtration	Donaldson® 2 stage cyclonic air cleaner
Fuel	Petrol (up to 10% ethanol)
Fuel Tank Capacity	16 Liter

BRUSHCUTTER	
Cutting Width (cm/inch)	92 / 36"
Height of Cut (cm)	5 - 13,5 cm (in transport mode max. 16 cm)
Height Adjustment	Adjustable in 5 positions, one transport position
Drive System	Tuff Torq 4WD system with K664 hydrostatic transaxle and KXH10M front axle
Transmission Cooling	Remote Oil Cooler with Electric Fan
Parking Brake	Internal Transaxle
PTO Clutch	Warner Electro Magnetic Clutch
Deck Drive System	B-section Belt with Soft Start Function
Forward Speed (km/h)	0 - 9,5
Reverse Speed (km/h)	0 - 7,5
Differential Lock	Standard, Lever Activated
Front Wheel (inch)	16 x 6,50 - 8, agricultural tread
Rear Wheel (inch)	20 x 10,00 - 8, agricultural tread
Steering Method	Mechanical Steering
Seat	Adjustable Contoured Seat with Armrests and Seat Belt
Lights	Halogen Front Lights and LED Contour Light Front and Rear
Display Control Lights	Mower Deck Engagement, Parking brake, Oil Pressure, Battery, Fuel Level Warning, Cruise Control, Hour Meter
Bumper	Front and Rear

OTHER INFORMATION	
Length x Width x Height (mm)	2350 x 1040 x 1740
Ground Clearance (mm)	125
Wheel Base (mm)	1480
Minium Turning Radius (mm)	1280
Rear Wheel Internal Radius (mm)	750
Weight (kg)	403
Maximum Inclination (°)	22

\* All power levels are stated gross HP at 3,600 RPM per SAE J1940.

### Billy Goat EMEA

BRIGGS & STRATTON NETHERLANDS BV  
SCHEPERSWEG 4C, 6049 CV ROERMOND,  
THE NETHERLANDS

Tel: +31 (0)475 408 383  
Fax: +31 (0)475 408 384

**WWW.BILLYGOAT.EU**

Briggs & Stratton, LLC. Copyright © 2020. 02/2020-BCR3626BVECE  
We reserve the right to discontinue models or change specifications without notice.  
No liability can be accepted for printing errors.

### Your Billy Goat Dealer:

