

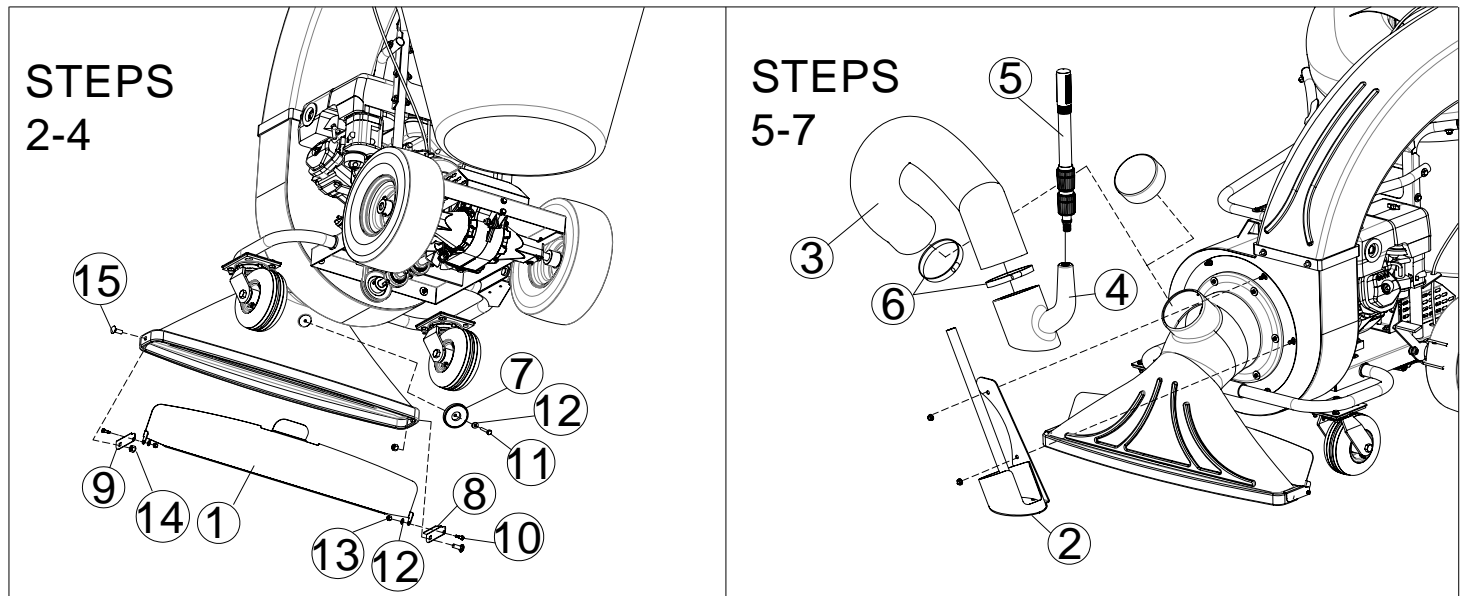


831018 QV HOSE KIT BILLY GOAT HOSE KIT INSTALLATION INSTRUCTIONS

PURPOSE: To allow the operator to vacuum in hard to reach places and hose storage.

INSTALLATION AND OPERATION:

1. DO NOT install while machine is running.
2. Attach the magnet (item 7) with the hardware (11 and 12).
3. Remove the carriage bolts (13) and nuts (14) from the nozzle and discard them. Attach the hinge brackets to the sides of the nozzle using the new carriage bolts and nuts supplied.
4. Attach the nozzle cover so the hinge points are facing the rear of the machine. Use the shoulder bolt (10), washer (16) and nut (13) to attach. Do not over tighten the nut. Tighten until the threads engage the nylock on the nut. Over tightening will not allow the nozzle cover to move freely.
5. Remove the two nuts from the housing (see below) and attach the nozzle holder to the housing with the nuts.
6. Remove the hose cap from the nozzle and attach the hose (3) to the nozzle with a clamp (6). Tighten the clamp securely.
7. Screw in the extendable handle to the nozzle. Then stretch the hose so it will be straight and attach the nozzle to the hose using the other clamp.
8. When using the hose kit, simply move the nozzle cover away from the magnet then tilt the machine backwards and pull the machine backwards, allowing the cover to swing forward. When the machine is running the suction will hold the cover against the nozzle. To go back to using the nozzle, simply move the cover back to the magnet. The hose does not have to be removed when using the nozzle and should be stored in the nozzle bracket when not in use. Do not drag the hose.



ITEM NO	PART NUMBER	DESCRIPTION	QTY
1	831234	NOZZLE COVER	1
2	831112	BRACKET HOSE KIT WA	1
3	831276	HOSE 5" DIA. X 10' COLLAPSIBLE	1
4	831275	NOZZLE 5" POLY	1
5	831232	HANDLE EXTENDABLE 1'-3'	1
6	800279	CLAMP HOSE 5"	2
7	442218	MAGNET 2 5/8" DIA	1
8	831233	HINGE RIGHT SIDE	1
9	831231	HINGE LEFT SIDE	1
10	831235	SHOULDER BOLT 1/4" DIA. X 1/8"	2
11	8041002	SCREWCAP 1/4"-20 X 1/2" HCS ZP	1
12	8172007	WASHER 1/4" SAE	3
13	8155007	NUT LOCK #10-24 HEX	2
14	8160003	NUT LOCK 3/8"-16	2
15	8024058	BOLT CARRIAGE 3/8"-16 X 1" ZP	2