

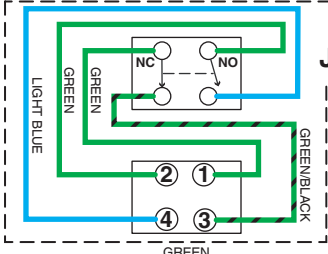
5107312FS / MAIN WIRE HARNESS - BRIGGS & STRATTON 61347 ENGINES

5107312B

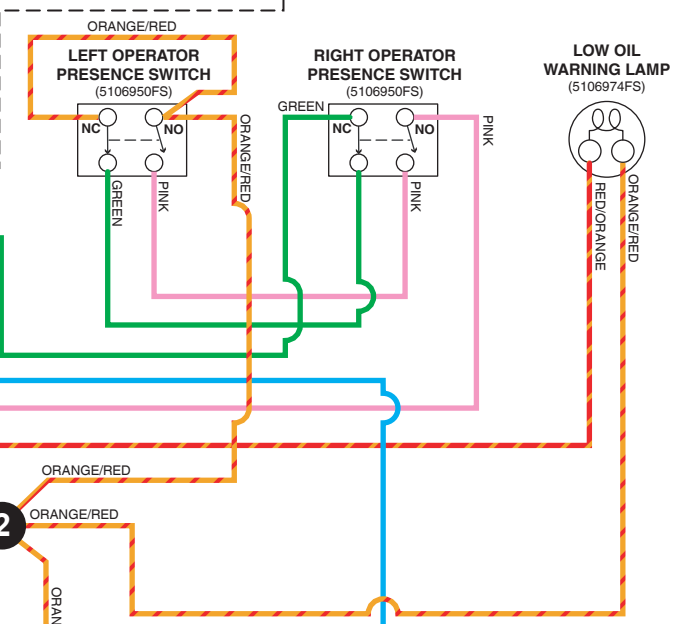
(If internal schematic of the switch is not shown, the image of the switch represents the back view of the connector as it is connected to the switch.)

IGNITION SWITCH		
POSITION	CONTACT 1	CONTACT 2
1. OFF	M+G+A1	N/A
2. RUN 1	B+A1	L+A2
3. RUN 3	B+A1	N/A
4. START	B+S+A1	N/A

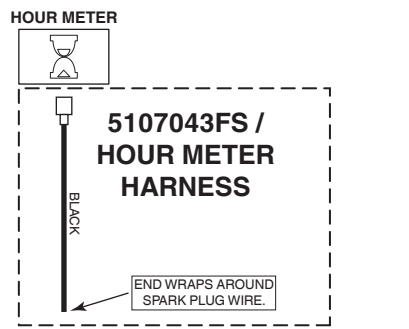
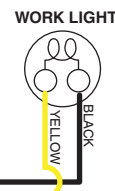
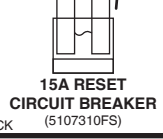
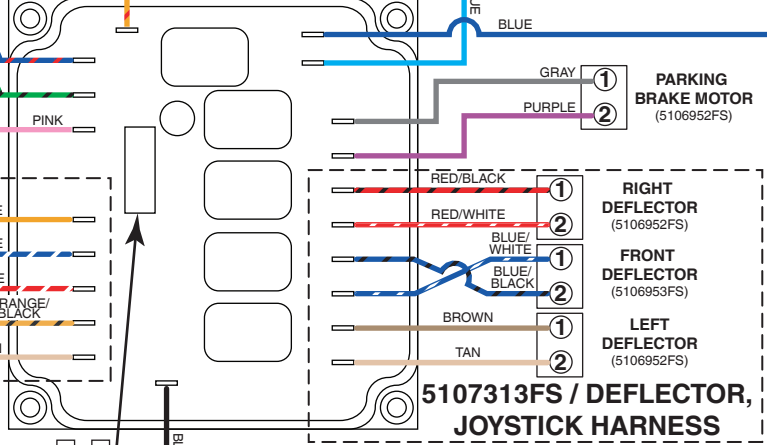
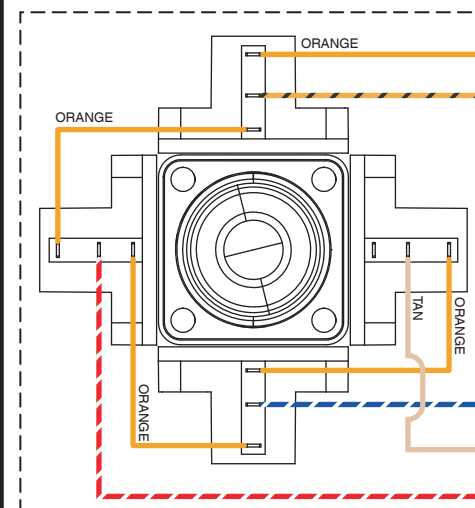
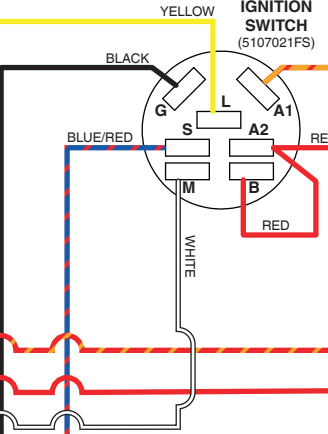
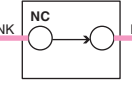
PARKING BRAKE SWITCH (8400626)



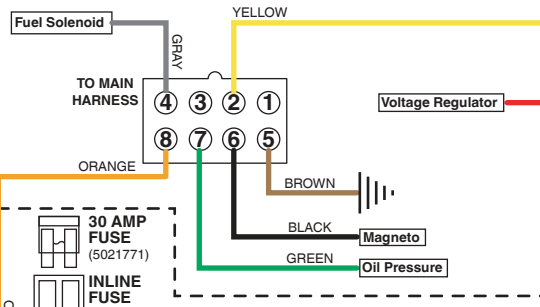
5110350 / BRAKE JUMPER HARNESS



PARKING BRAKE (OFF) SWITCH (5021769)



BRIGGS & STRATTON ENGINE HARNESS



5107311FS / FUSE HOLDER HARNESS

